

Test Report

for 1.0~8.0GHz Broadband Spiral Antenna



Model: HXATBDBS1080

Chengdu HAIKIN MICROWAVE Technology Co., Ltd

Add: Chengdu 610091, China

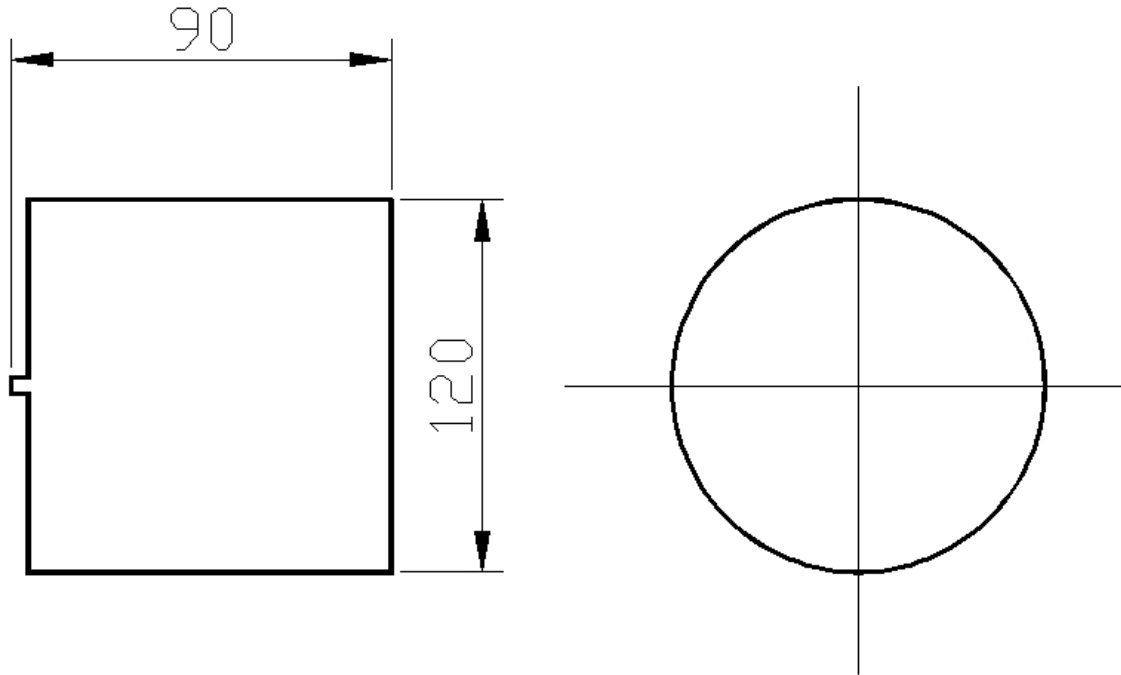
Tel: +86-28-87089208

Website: www.hxmicrowave.com

Fax: +86-28-87089208

Email: sale@hxmicrowave.com

Outline Drawing (Size: mm)



Technical Specification

Frequency Rang	VSWR	Gain	Connector	Axial Ration	Beam width	Size
1.0~8GHz	2:1	$\geq -4\text{dBic}$	SMA-Female	$\leq 4\text{dB}$	60~120	$\Phi 120\text{mm}$ $\times 90\text{mm}$

Test Instruments

Agilent 83630B
HP8563E
HP8720D

Test Results

1. Gain

Frequency (GHz)	1.0	2.0	4.0	6.0	8.0
Gain (dBic)	1	2.2	2	2.4	3

2. Axial Ratio

Frequency (GHz)	1.0	2.0	4.0	6.0	8.0
Axial Ratio (dB)	2.5	1.8	2.2	2.0	1.5

3. Pattern

